

MECHANICAL CONNECTORS AND REPAIR SLEEVES BSM

FOR LOW AND MEDIUM VOLTAGE APPLICATION UP TO 42 kV

KEY FEATURES

- Wide application range
- Compact design
- Can be used with almost every type of conductor and material
- Torque-controlled shear head bolts guarantee an excellent electrical contact
- Easy installation with standard socket spanner
- Pre-engineered design for perfect fit in medium voltage cable accessories up to 42 kV
- Tested according to IEC 61238-1 class A

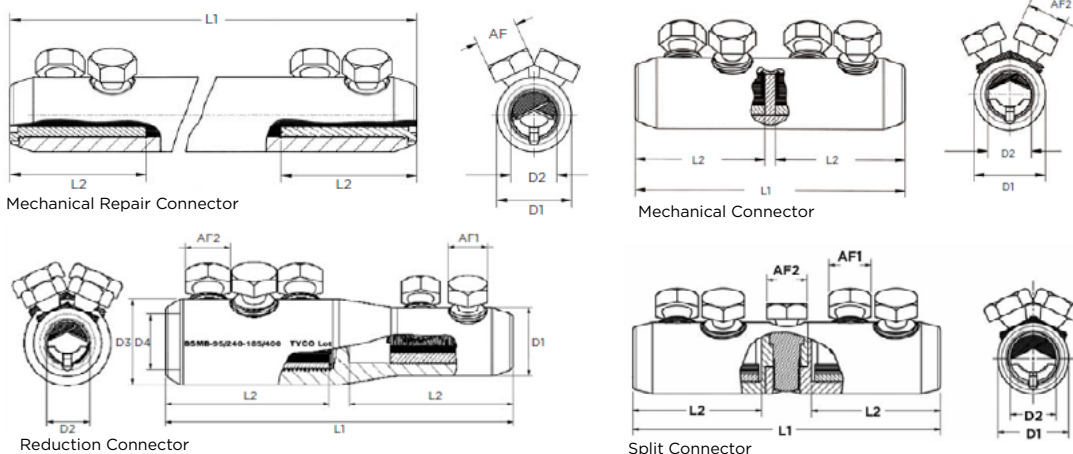
TE Connectivity's (TE) mechanical connectors and repair sleeves are designed for use in low and medium voltage applications. Three sizes of BSM cover conductor sizes from 25 mm² to 400 mm². Our products consist of a tin-plated body, shear head bolts and inserts for small conductor sizes.

Made of special aluminium alloy, these contact bolts are double shear head bolts with hexagon heads. The bolts are treated with a highly lubricating agent. Contact bolts are irremovable once their heads have been sheared off. The lug body is made of a high-tensile, tin-plated aluminium alloy. The internal surface of the conductor holes are grooved.

Connectors are chamfered at the edges and available with or without oil barrier (as blocked and unblocked types) depending on the application requirements. The bolted fitting featured herein was developed specifically for use in medium voltage cable accessories up to 42 kV. They may also be used in the 1 kV range.

Before using mechanical connectors in cable accessories, confirm that they are suitable for the given application and if necessary consult our experts.

Customers can count on consistent, high quality products, driven by TE's proven innovation and backed by our extraordinary customer support.



PRODUCT SELECTION INFORMATION

| Description | Cross Sectional Range (mm ²) | | Blocked | Dimensions (mm) | | | | | | Contact Bolts Quantity | Head Size | | |
|----------------------------------|--|-----------|---------|-----------------|----|----|------|----|------|------------------------|-----------|------------|------------|
| | | | | L1 | L2 | D1 | D2 | D3 | D4 | | AF (mm) | AF (mm) | |
| Mechanical Connectors | | | | | | | | | | | | | |
| BSMB-10/35 | 10 - 35 | | yes | 45 | 20 | 19 | 8,5 | - | - | 2 | 10 | | |
| BSM-25/95 | 25 - 95 | | yes | 65 | 30 | 24 | 12,8 | - | - | 2 | 13 | | |
| BSM-25/95-U | 25 - 95 | | no | 65 | - | 24 | 12,8 | - | - | 2 | 13 | | |
| BSMB-35/150 | 35 - 150 | | yes | 80 | 35 | 28 | 15,8 | - | - | 2 | 17 | | |
| BSMU-35/150 | 35 - 150 | | no | 80 | - | 28 | 15,8 | - | - | 2 | 17 | | |
| BSM-95/240 | 95 - 240 | | yes | 125 | 60 | 33 | 20 | - | - | 4 | 19 | | |
| BSM-95/240-U | 95 - 240 | | no | 125 | - | 33 | 20 | - | - | 4 | 19 | | |
| BSMB-95/240-34 | 95 - 240 | | yes | 125 | 60 | 34 | 22 | - | - | 4 | 19 | | |
| BSMB-120/300 | 120 - 300 | | yes | 140 | 65 | 37 | 24 | - | - | 4 | 22 | | |
| BSMU-120/300 | 120 - 300 | | no | 140 | - | 37 | 24 | - | - | 4 | 22 | | |
| BSMB-150/400 | 150 - 400 | | yes | 170 | 80 | 42 | 25,5 | - | - | 6 | 13 | | |
| BSMU-150/400 | 150 - 400 | | no | 170 | - | 42 | 25,5 | - | - | 6 | 13 | | |
| BSMB-500mk2 | 500 | | yes | 160 | 70 | 46 | 30 | - | - | 6 | 13 | | |
| BSMB-630mk2 | 630 | | yes | 160 | 70 | 50 | 33 | - | - | 6 | 13 | | |
| BSMB-800mk2 | 800 | | yes | 180 | 85 | 56 | 36 | - | - | 8 | 13 | | |
| BSMB-1000 | 1000 | | yes | 180 | 85 | 60 | 40 | - | - | 8 | 13 | | |
| Reduction Connectors | | | | | | | | | | | | | |
| | Side 1 | Side 2 | | | | | | | | Side 1 | Side 2 | Side 1 | Side 2 |
| BSMB 25/95-95/240 | 25 - 95 | 95 - 240 | yes | 125 | 60 | 24 | 12,8 | 33 | 20 | 1 | 2 | 13 | 19 |
| BSMB 95/240-185/400 | 95 - 240 | 185 - 400 | yes | 170 | 80 | 33 | 20 | 42 | 25,5 | 2 | 3 | 19 | 22 |
| BSMB 185/400-500 | 185 - 400 | 500 | yes | 190 | 90 | 42 | 25,5 | 46 | 30 | 3 | 3 | 22 | 27 |
| BSMB 185/400-630 | 185 - 400 | 630 | yes | 200 | 95 | 42 | 25,5 | 50 | 33 | 3 | 3 | 22 | 27 |
| BSMB 500-630mk2 | 500 | 630 | yes | 160 | 70 | 46 | 30 | 50 | 33 | 3 | 3 | 13 | 13 |
| BSMB 500-800 | 500 | 800 | yes | 180 | 85 | 46 | 30 | 56 | 36 | 3 | 4 | 13 | 13 |
| BSMB 630-800 | 630 | 800 | yes | 180 | 85 | 50 | 33 | 56 | 36 | 3 | 4 | 13 | 13 |
| BSMB 630-1000 | 630 | 1000 | yes | 180 | 85 | 50 | 33 | 60 | 40 | 3 | 4 | 13 | 13 |
| BSMB 800-1000 | 800 | 1000 | yes | 180 | 85 | 56 | 36 | 60 | 40 | 3 | 4 | 13 | 13 |
| Split Connectors | | | | | | | | | | | | | |
| | | | | | | | | | | Contact | Central | Head Size | |
| | | | | | | | | | | | | AF Contact | AF Central |
| BSMV-120/300 | 120 - 300 | | yes | 160 | 65 | 37 | 24 | 4 | - | 4 | 1 | 22 | 21 |
| BSMV-185/400 | 185 - 400 | | yes | 190 | 80 | 42 | 25,5 | 6 | - | 6 | 1 | 22 | 19 |
| Mechanical Repair Sleeves | | | | | | | | | | | | | |
| BSM-25/95-U-L440 | 25 - 95 | | no | 440 | 30 | 24 | 12,8 | - | - | 2 | 13 | | |
| BSM-95/240-U-L440 | 95 - 240 | | no | 440 | 60 | 33 | 20 | - | - | 4 | 19 | | |
| BSMU-95/240-34-L440 | 95 - 240 | | no | 440 | 60 | 34 | 22 | - | - | 4 | 19 | | |
| BSMU-120/300-L440 | 120 - 300 | | no | 440 | 65 | 37 | 24 | - | - | 4 | 22 | | |
| BSM-185/400-U-L440 | 185 - 400 | | no | 440 | 80 | 42 | 25,5 | - | - | 6 | 22 | | |
| BSMU-500-L440 | 500 | | no | 440 | 90 | 46 | 30 | - | - | 6 | 27 | | |

**FOR MORE INFORMATION:
TE Technical Support Centers**

- USA: + 1 800 327 6996
- Canada: + 1 (905) 475-6222
- Mexico: + 52 (0) 55-1106-0800
- Latin/S. America: + 54 (0) 11-4733-2200
- France: + 33 380 583 200
- UK: + 44 0870 870 7500
- Germany: + 49 89 6089 903
- Spain: + 34 916 630 400
- Italy: + 39 333 250 0915
- Benelux: + 32 16 508 695
- Russia: + 7 495-790 790 2-200
- China: + 86 (0) 400-820-6015

te.com/energy

© 2018 TE Connectivity. All Rights Reserved. EPP-2287-DDS-7/18-EN

TE Connectivity and TE connectivity (logo) are trademarks. Other logos, product and/or company names might be trademarks of their respective owners. While TE has made every reasonable effort to ensure the accuracy of the information in this brochure, TE does not guarantee that it is error-free, nor does TE make any other representation, warranty or guarantee that the information is accurate, correct, reliable or current. TE reserves the right to make any adjustments to the information contained herein at any time without notice. TE expressly disclaims all implied warranties regarding the information contained herein, including, but not limited to, any implied warranties of merchantability or fitness for a particular purpose. The dimensions in this catalog are for reference purposes only and are subject to change without notice. Specifications are subject to change without notice. Consult TE for the latest dimensions and design specifications.